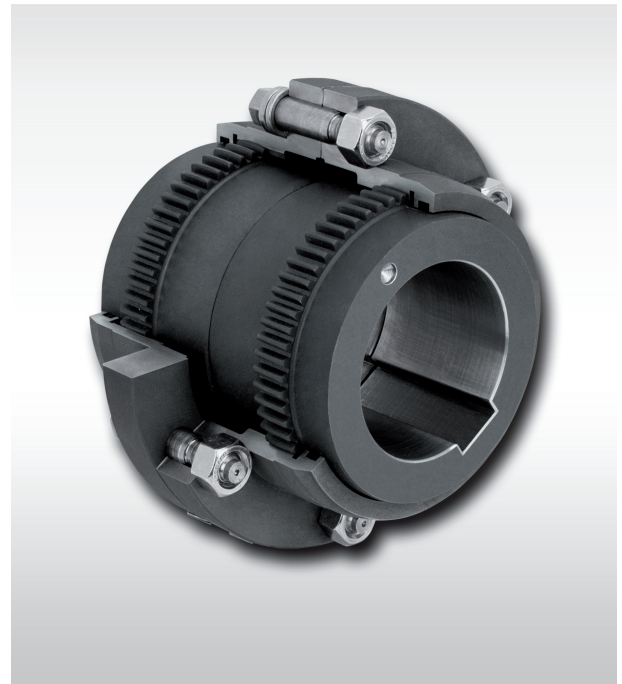


Intercambiables con todas las marcas del mercado

Acoplamientos de grilla



Acoplamientos de Engranaje



Características:

- High nominal torque
- High torsional stiffness
- Large bore capacities
- Vibration dampening
- Easy replacement of the grid

- High Nominal Torque Ratings
- Large Bore Capacities
- Phosphate Coated - Corrosion Resistant
- Fast Delivery
- Complies with AGMA Standard so our half couplings bolt to other AGMA half couplings**

Grid Couplings

Interchange Chart for Falk®, Lovejoy®, Morse/Browning®, Kop-Flex® and Dodge®



Features:

- High nominal torque
- High torsional stiffness
- Large bore capacities
- Vibration dampening
- Easy replacement of the grid

Quality Products • Competitive Price • Quick Delivery

Interchange Chart

RINGSPANN®

For Grid Coupling RES ... EYO – horizontally split cover

Manufacturer	RINGSPANN RES ... EYO	Falk® Steelflex®	Lovejoy® Grid Couplings	Morse/Browning® Grid-Flex®	Kop-Flex® Kop-Grid®	Dodge® Grid-Lign®
Size Max. Bore (inch) Torque (lb-in)	RES 1020 EYO 1.12 425	1020T10 1.12 460	1020 1.12 460	GF2020H 1.12 422	1020H 1.12 422	1020T10 1.18 464
Size Max. Bore (inch) Torque (lb-in)	RES 1030 EYO 1.38 1,200	1030T10 1.38 1,320	1030 1.37 1,320	GF2030H 1.38 1,200	1030H 1.38 1,200	1030T10 1.43 1,320
Size Max. Bore (inch) Torque (lb-in)	RES 1040 EYO 1.62 2,000	1040T10 1.62 2,200	1040 1.62 2,200	GF2040H 1.62 2,000	1040H 1.62 2,000	1040T10 1.75 2,200
Size Max. Bore (inch) Torque (lb-in)	RES 1050 EYO 1.88 3,500	1050T10 1.88 3,850	1050 1.87 3,850	GF2050H 1.88 3,500	1050H 1.88 3,500	1050T10 2 3,850
Size Max. Bore (inch) Torque (lb-in)	RES 1060 EYO 2.12 5,500	1060T10 2.12 6,050	1060 2.12 6,050	GF2060H 2.12 5,500	1060H 2.12 5,500	1060T10 2.25 6,050
Size Max. Bore (inch) Torque (lb-in)	RES 1070 EYO 2.5 8,000	1070T10 2.5 8,800	1070 2.5 8,800	GF2070H 2.5 8,000	1070H 2.5 8,000	1070T10 2.68 8,800
Size Max. Bore (inch) Torque (lb-in)	RES 1080 EYO 3 16,500	1080T10 3 18,150	1080 3 18,150	GF2080H 3 16,500	1080H 3 16,500	1080T10 3.25 18,150
Size Max. Bore (inch) Torque (lb-in)	RES 1090 EYO 3.5 30,000	1090T10 3.5 33,000	1090 3.5 33,000	GF2090H 3.5 30,000	1090H 3.5 30,000	1090T10 3.75 33,000
Size Max. Bore (inch) Torque (lb-in)	RES 1100 EYO 4 50,500	1100T10 4 55,550	1100 4 55,550	GF2100H 4 50,500	1100H 4 50,500	1100T10 4.25 55,550
Size Max. Bore (inch) Torque (lb-in)	RES 1110 EYO 4.5 75,000	1110T10 4.5 82,500	1110 4.5 82,500	GF2110H 4.5 75,000	1110H 4.5 75,000	1110T10 4.62 82,500
Size Max. Bore (inch) Torque (lb-in)	RES 1120 EYO 5 110,000	1120T10 5 121,000	1120 5 121,000	GF2120H 5 110,000	1120H 5 110,000	1120T10 5.37 121,000
Size Max. Bore (inch) Torque (lb-in)	RES 1130 EYO 6 160,000	1130T10 6 176,000	1130 6 176,000	GF2130H 6 160,000	1130H 6 160,000	1130T10 6.5 176,000
Size Max. Bore (inch) Torque (lb-in)	RES 1140 EYO 7.25 230,000	1140T10 7.25 253,000	1140 7.25 253,000	GF2140H 7.25 230,000	1140H 7.25 230,000	1140T10 7.25 253,000
Size Max. Bore (inch) Torque (lb-in)	RES 1150 EYO 8 320,000	1150T10 8 352,000	1150 8 352,000			1150T10 8 352,000
Size Max. Bore (inch) Torque (lb-in)	RES 1160 EYO 9 450,000	1160T10 9 495,000	1160 9 495,000			1160T10 9 495,000
Size Max. Bore (inch) Torque (lb-in)	RES 1170 EYO 10 600,000	1170T10 10 660,000	1170 10 660,000			1170T10 10 660,000
Size Max. Bore (inch) Torque (lb-in)	RES 1180 EYO 11 832,000	1180T10 11 915,000	1180 11 915,200			1180T10 11 915,000
Size Max. Bore (inch) Torque (lb-in)	RES 1190 EYO 12 1,100,000	1190T10 12 1,210,000	1190 12 1,210,000			1190T10 12 1,210,000
Size Max. Bore (inch) Torque (lb-in)	RES 1200 EYO 13 1,500,000	1200T10 13 1,650,000	1200 13 1,650,000			1200T10 13 1,650,000

Interchange Chart

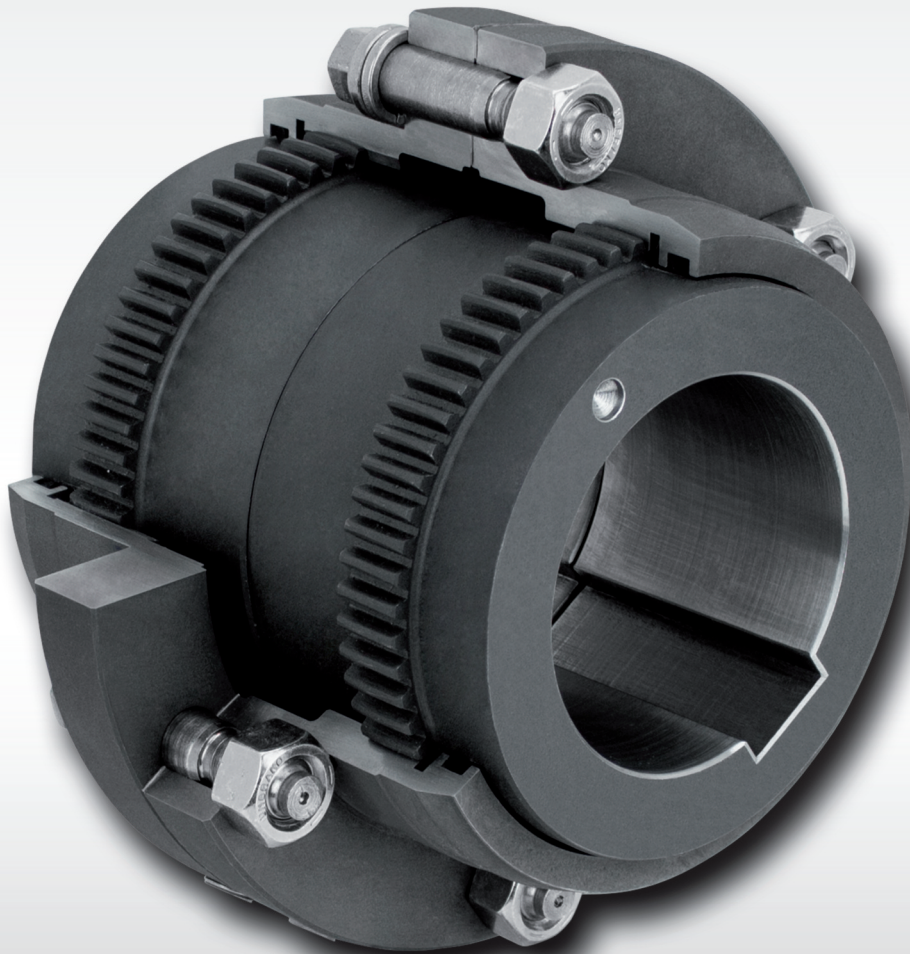
For Grid Coupling RES ... ETO – vertically split cover

RINGSPANN®

Manufacturer	RINGSPANN RES ... ETO	Falk® Steelflex®	Lovejoy® Grid Couplings	Morse/Browning® Grid-Flex®	Kop-Flex® Kop-Grid®	Dodge® Grid-Lign®
Size Max. Bore (inch) Torque (lb-in)	RES 1020 ETO 1.12 425	1020T20 1.12 460	1020 1.12 460	GF2020V 1.12 422	1020V 1.12 422	1020T20 1.18 464
Size Max. Bore (inch) Torque (lb-in)	RES 1030 ETO 1.38 1,200	1030T20 1.37 1,320	1030 1.37 1,320	GF2030V 1.38 1,200	1030V 1.38 1,200	1030T20 1.43 1,320
Size Max. Bore (inch) Torque (lb-in)	RES 1040 ETO 1.62 2,000	1040T20 1.62 2,200	1040 1.62 2,200	GF2040V 1.62 2,000	1040V 1.62 2,000	1040T20 1.75 2,200
Size Max. Bore (inch) Torque (lb-in)	RES 1050 ETO 1.88 3,500	1050T20 1.87 3,850	1050 1.87 3,850	GF2050V 1.88 3,500	1050V 1.88 3,500	1050T20 2 3,850
Size Max. Bore (inch) Torque (lb-in)	RES 1060 ETO 2.12 5,500	1060T20 2.12 6,050	1060 2.12 6,050	GF2060V 2.12 5,500	1060V 2.12 5,500	1060T20 2.25 6,050
Size Max. Bore (inch) Torque (lb-in)	RES 1070 ETO 2.5 8,000	1070T20 2.5 8,800	1070 2.5 8,800	GF2070V 2.5 8,000	1070V 2.5 8,000	1070T20 2.68 8,800
Size Max. Bore (inch) Torque (lb-in)	RES 1080 ETO 3 16,500	1080T20 3 18,150	1080 3 18,150	GF2080V 3 16,500	1080V 3 16,500	1080T20 3.25 18,150
Size Max. Bore (inch) Torque (lb-in)	RES 1090 ETO 3.5 30,000	1090T20 3.5 33,000	1090 3.5 33,000	GF2090V 3.5 30,000	1090V 3.5 30,000	1090T20 3.75 33,000
Size Max. Bore (inch) Torque (lb-in)	RES 1100 ETO 4 50,500	1100T20 4 55,550	1100 4 55,550	GF2100V 4 50,500	1100V 4 50,500	1100T20 4.25 55,550
Size Max. Bore (inch) Torque (lb-in)	RES 1110 ETO 4.5 75,000	1110T20 4.5 82,500	1110 4.5 82,500	GF2110V 4.5 75,000	1110V 4.5 75,000	1110T20 4.62 82,500
Size Max. Bore (inch) Torque (lb-in)	RES 1120 ETO 5 110,000	1120T20 5 121,000	1120 5 121,000	GF2120V 5 110,000	1120V 5 110,000	1120T20 5.37 121,000
Size Max. Bore (inch) Torque (lb-in)	RES 1130 ETO 6 160,000	1130T20 6 176,000	1130 6 176,000	GF2130V 6 160,000	1130V 6 160,000	1130T20 6.5 176,000
Size Max. Bore (inch) Torque (lb-in)	RES 1140 ETO 7.25 230,000	1140T20 7.25 253,000	1140 7.25 253,000	GF2140V 7.25 230,000	1140V 7.25 230,000	1140T20 7.25 253,000
Size Max. Bore (inch) Torque (lb-in)	RES 1150 ETO 8 320,000	1150T20 8 352,000				1150T20 8 352,000
Size Max. Bore (inch) Torque (lb-in)	RES 1160 ETO 9 450,000	1160T20 9 495,000				1160T20 9 495,000
Size Max. Bore (inch) Torque (lb-in)	RES 1170 ETO 10 600,000	1170T20 10 660,000				1170T20 10 660,000
Size Max. Bore (inch) Torque (lb-in)	RES 1180 ETO 11 832,000					1180T20 11 915,000
Size Max. Bore (inch) Torque (lb-in)	RES 1190 ETO 12 1,100,000					1190T20 12 1,210,000
Size Max. Bore (inch) Torque (lb-in)	RES 1200 ETO 13 1,500,000					1200T20 13 1,650,000

Gear Couplings RDZ ... DTO

Interchange Chart for Falk Lifelign, Kop-Flex, Amerigear, Lovejoy, KTR Gearex , System Components and Renold



Quality Products • Competitive Price • Quick Delivery

Interchange Chart

For Gear Couplings RDZ ... DTO

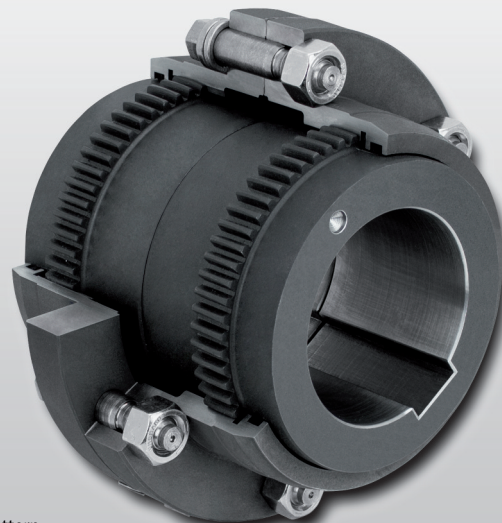
RINGSPANN®

Manufacturer	RINGSPANN RDZ ... DTO Series	Falk Lifelign G20 Series	Kop-Flex H Series	Amerigear F Series	Lovejoy F Series	KTR Gearex FA Series	System Components F Series	Renold Ajax
Size	0010	1010G	1H	201	1	10	1	1
Max. Bore (inch)	1.88	1.88	1.63	1.25	1.63	1.97	1.63	1.63
Torque Capacity (lb-in) x 1000	10.62	10.08	7.5	3.2	7.6	8.2	9.77	12.7
Size	0015	1015G	1-1/2H	201-1/2	1-1/2	15	1-1/2	1-1/2
Max. Bore (inch)	2.36	2.38	2.25	2.25	2.13	2.52	2.19	2.13
Torque Capacity (lb-in) x 1000	22.13	20.79	17.0	17.0	18.9	17.7	19.5	23.8
Size	0020	1020G	2H	202	2	20	2	2
Max. Bore (inch)	2.84	2.88	2.75	2.75	2.75	3.15	2.75	2.75
Torque Capacity (lb-in) x 1000	44.25	37.80	31.5	31.5	31.5	31.0	32.1	40.6
Size	0025	1025G	2-1/2H	202-1/2	2-1/2	25	2-1/2	2-1/2
Max. Bore (inch)	3.54	3.63	3.50	3.50	3.25	3.86	3.50	3.25
Torque Capacity (lb-in) x 1000	77.00	66.15	56.7	53.6	56.7	57.5	56.7	65.7
Size	0030	1030G	3H	203	3	30	3	3
Max. Bore (inch)	4.13	4.13	4.00	4.00	4.00	4.41	4.00	4.00
Torque Capacity (lb-in) x 1000	114.17	107	101	95.0	95.0	89.0	96.0	108
Size	0035	1035G	3-1/2H	203-1/2	3-1/2	35	3-1/2	3-1/2
Max. Bore (inch)	4.92	4.88	4.50	4.50	4.63	5.24	4.63	5.38
Torque Capacity (lb-in) x 1000	171.70	164	148	142	151	150	151	166
Size	0040	1040G	4H	204	4	40	4	4
Max. Bore (inch)	5.71	5.75	5.50	5.50	5.38	6.22	5.50	6.00
Torque Capacity (lb-in) x 1000	269.95	271	236	214	221	252	240	264
Size	0045	1045G	4-1/2H	204-1/2	4-1/2	45	4-1/2	4-1/2
Max. Bore (inch)	6.75*	6.75	6.00	6.25	6.00	6.77	6.00	6.63
Torque Capacity (lb-in) x 1000	369.96	372	318	324	302	327	315	365
Size	0050	1050G	5H	205	5	50	5	5
Max. Bore (inch)	7.38*	7.38	6.88	6.63	6.50	7.56	6.88	6.63
Torque Capacity (lb-in) x 1000	504.49	501	441	416	435	451	447	489
Size	0055	1055G	5-1/2H	205-1/2	5-1/2	55	5-1/2	5-1/2
Max. Bore (inch)	8.25*	8.25	7.75	7.50	7.38	8.27	7.75	7.50
Torque Capacity (lb-in) x 1000	716.91	655	580	551	573	575	583	725
Size	0060	1060G	6H	206	6	60	6	6
Max. Bore (inch)	9.13*	9.13	8.63	8.25	8.00	9.13	8.75	8.13
Torque Capacity (lb-in) x 1000	840.82	800	759	750	750	752	756	925
Size	0070	1070G	7H	207	7	70	7	7
Max. Bore (inch)	10.88*	10.88	10.38	9.63	9.00	10.87	10.38	9.63
Torque Capacity (lb-in) x 1000	1,292.21	1,197	1,160	1,033	1,008	1,195	1,166	1,390

* Maximum bores for shaft and keys according to AGMA/ANSI 9002-C14: shafts up to 6.5" with square keys, and shafts, above 6.5" with rectangular keys

Features

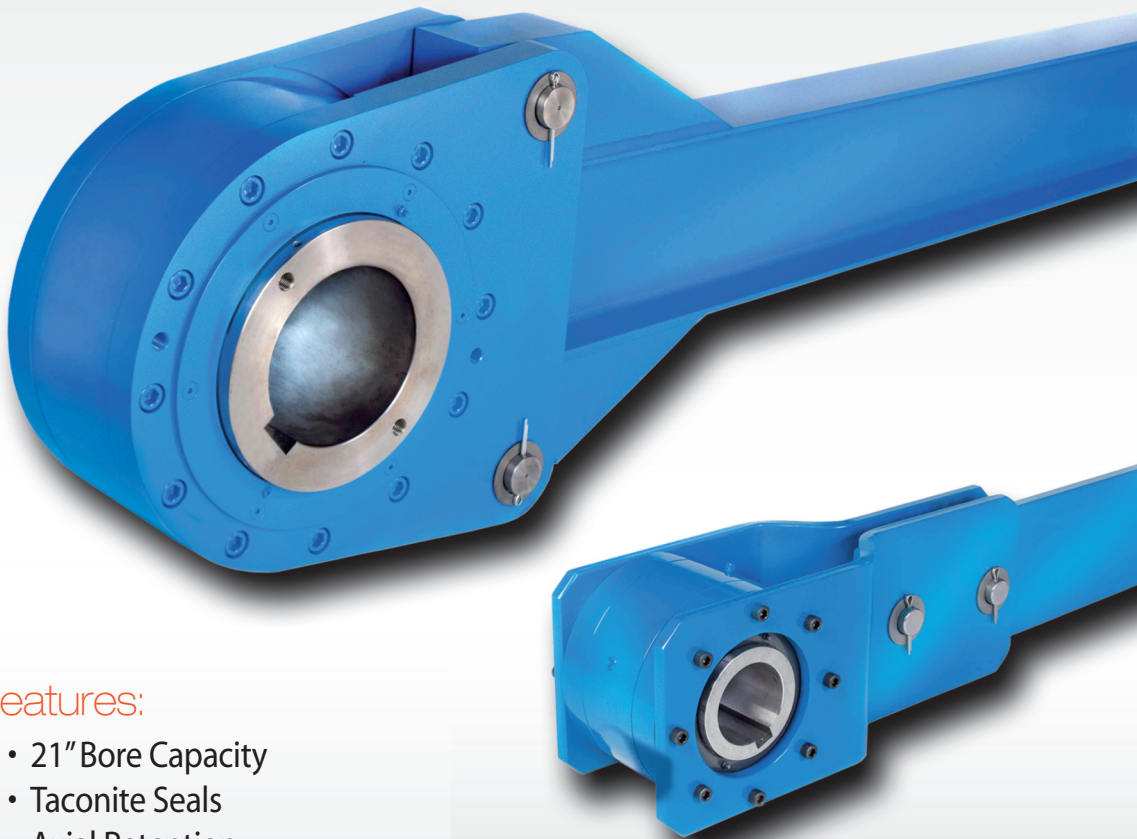
- High Nominal Torque Ratings
- Large Bore Capacities
- Phosphate Coated - Corrosion Resistant
- Fast Delivery
- Complies with AGMA Standard so our half couplings bolt to other AGMA half couplings**



** All are half to half interchanges, except for Amerigear size 201 which uses a different flange pattern

FRHD Series

Interchange Chart for Formsprag, Marland, Falk, Stephens Adamson and Morse®



Features:

- 21" Bore Capacity
- Taconite Seals
- Axial Retention
- Quick-Release Torque Arm
- 900,000 lb-ft Torque Capacity
- Visual Oil Gage

Quality Products • Competitive Price • Quick Delivery



Interchange Chart

For Heavy Duty Low-Speed Backstops

Manufacturer	Formsprag	RINGSPANN®	Marland	RINGSPANN®	
Size Max. Bore (inch) Torque Rating (lb-ft)	LLH 700 2.94 5,000	FRHD 700 3.44 3,750	BC 3MA 2.94 3,000	FRHD 700 3.44 3,750	
Size Max. Bore (inch) Torque Rating (lb-ft)	LLH 750 3.44 7,000	FRHD 775 3.75 7,500	BC 6MA 3.69 6,000	FRHD 775 3.75 7,500	
Size Max. Bore (inch) Torque Rating (lb-ft)	LLH 800 4.44 13,000	FRHD 800 4.5 12,000	BC 12MA 4.5 12,000	FRHD 800 4.5 12,000	
Size Max. Bore (inch) Torque Rating (lb-ft)	LLH 900 5.44 18,000	FRHD 900 5.44 18,500	BC 18MA 5.44 18,000	FRHD 900 5.44 18,500	
Size Max. Bore (inch) Torque Rating (lb-ft)	LLH 1027 7 27,000	FRHD 950 7 23,000	BC 27MA 6.5 27,000	FRHD 950 7 23,000	
Size Max. Bore (inch) Torque Rating (lb-ft)	LLH 1027 7 27,000	FRHD 1000 7 28,000	BC 27MA 6.5 27,000	FRHD 1000 7 28,000	
Size Max. Bore (inch) Torque Rating (lb-ft)	LLH 1051 7 45,000	FRHD 1050 7 45,000	BC 45MA 7 45,000	FRHD 1050 7 45,000	
Size Max. Bore (inch) Torque Rating (lb-ft)	LLH 1051 7 45,000	FRHD 1100 7 45,000	BC 45MA 7 45,000	FRHD 1100 7 45,000	
Size Max. Bore (inch) Torque Rating (lb-ft)	LLH 1250 9 65,000	FRHD 1200 9 92,500	BC 63MA 8 63,000	FRHD 1200 9 92,500	
Size Max. Bore (inch) Torque Rating (lb-ft)	LLH 1300 10 90,000	FRHD 1300 10 110,000	BC 90MA 9 90,000	FRHD 1300 10 110,000	
Size Max. Bore (inch) Torque Rating (lb-ft)	LLH 1375 11 135,000	FRHD 1400 12 140,000	BC 135MA 10 135,000	FRHD 1400 12 140,000	
Size Max. Bore (inch) Torque Rating (lb-ft)	LLH 2000 13.25 200,000	FRHD 1450 12 190,000	BC 180MA 11.75 180,000	FRHD 1450 12 190,000	
Size Max. Bore (inch) Torque Rating (lb-ft)	LLH 2400 15.5 265,000	FRHD 1500 12 290,000	BC 240MA 14 240,000	BC 300MA 14 300,000	FRHD 1500 12 290,000
Size Max. Bore (inch) Torque Rating (lb-ft)	LLH 3500 20 375,000	FRHD 1600 14 373,000	BC 300MA 14 300,000	BC 375MA 18 375,000	FRHD 1600 14 373,000
Size Max. Bore (inch) Torque Rating (lb-ft)	LLH 5000 20 700,000	FRHD 1700 18 640,000	BC 375MA 18 375,000	BC 540MA 21 540,000	FRHD 1700 18 640,000
Size Max. Bore (inch) Torque Rating (lb-ft)	LLH 5000 20 700,000	FRHD 1800 21 900,000	BC 720MA 21 720,000	BC 940MA 21 940,000	FRHD 1800 21 900,000
Size Max. Bore (inch) Torque Rating (lb-ft)			BC 1200 MA 23.5 1,200,000	FRHD 1900 21 1,200,000	

Falk	RINGSPANN®	Stephens Adamson	RINGSPANN®	Morse®	RINGSPANN®
1 045 NRTHB 2.50 2,100	FRHD 700 3.44 3,750	HD 215 2.94 3,333	FRHD 700 3.44 3,750		
1 075 NRT 3.94 10,000	FRHD 775 3.75 7,500	HD 315 3.94 6,666	FRHD 775 3.75 7,500	CB 7 4 6,500	FRHD 775 3.75 7,500
1 075 NRT 3.94 10,000	FRHD 800 4.5 12,000	HD 415 4.94 11,667	FRHD 800 4.5 12,000	CB 12 5.25 12,000	FRHD 800 4.5 12,000
1 085 NRT 5.19 16,000	FRHD 900 5.44 18,500	HD 600 6 20,833	FRHD 900 5.44 18,500	CB 19 6.25 19,000	FRHD 900 5.44 18,500
1 095 NRT 5.5 28,000	FRHD 950 7 23,000	HD 700 7 27,083	FRHD 950 7 23,000	CB 30 7.75 30,000	FRHD 950 7 23,000
1 095 NRT 5.5 28,000	FRHD 1 000 7 28,000	HD 700 7 27,083	FRHD 1 000 7 28,000	CB 30 7.75 30,000	FRHD 1 000 7 28,000
1 105 NRT 7.44 45,000	FRHD 1 050 7 45,000	HD 800 8 45,833	FRHD 1 050 7 45,000	CB 45 8.5 45,000	FRHD 1 050 7 45,000
1 105 NRT 7.44 45,000	FRHD 1 100 7 45,000	HD 800 8 45,833	FRHD 1 100 7 45,000	CB 45 8.5 45,000	FRHD 1 100 7 45,000
1 115 NRT 8.44 75,000	FRHD 1 200 9 92,500	HD 900 9 66,667	FRHD 1 200 9 92,500	CB 65 9.5 65,000	FRHD 1 200 9 92,500
1 125 NRT 9 105,000	FRHD 1 300 10 110,000	HD 1 000 10 92,500	FRHD 1 300 10 110,000		
1 135 NRT 10.5 150,000	FRHD 1 400 12 140,000	HD 1 200 12 145,833	FRHD 1 400 12 140,000	CB 150 11.5 150,000	FRHD 1 400 12 140,000
1 145 NRT 12 212,000	FRHD 1 450 12 190,000	HD 1 400 14 208,333	FRHD 1 450 12 190,000	CB 250 13.5 250,000	FRHD 1 450 12 190,000
1 155 NRT 13.25 249,000	FRHD 1 500 12 290,000	HD 1 600 16 316,667	FRHD 1 500 12 290,000		
1 165 NRT 15.5 346,000	FRHD 1 600 14 373,000	HD 1 600 16 316,667	FRHD 1 600 14 373,000		
1 175 NRT 17.5 519,000	FRHD 1 700 18 640,000	HD 1 800 18 416,666	FRHD 1 700 18 640,000		
1 185 NRT 20 747,000	FRHD 1 800 21 900,000				

Note: The above is a functional interchange reference, please verify dimensional interchange details. • Morse® is a registered trademark of Borg Warner

Interchange Chart

RINGSPANN®

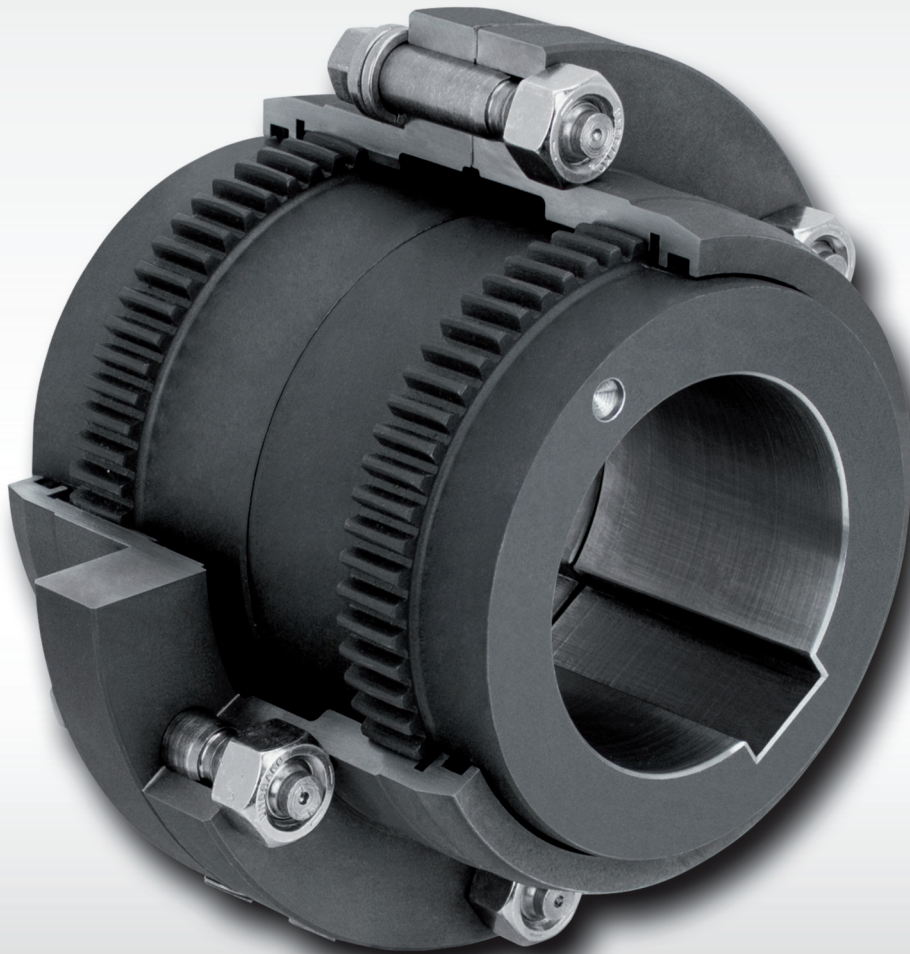
For Grid Coupling RES ... EYO – horizontally split cover

Manufacturer	RINGSPANN RES ... EYO	Falk® Steelflex®	Lovejoy® Grid Couplings	Morse/Browning® Grid-Flex®	Kop-Flex® Kop-Grid®	Dodge® Grid-Lign®
Size Max. Bore (inch) Torque (lb-in)	RES 1020 EYO 1.12 425	1020T10 1.12 460	1020 1.12 460	GF2020H 1.12 422	1020H 1.12 422	1020T10 1.18 464
Size Max. Bore (inch) Torque (lb-in)	RES 1030 EYO 1.38 1,200	1030T10 1.38 1,320	1030 1.37 1,320	GF2030H 1.38 1,200	1030H 1.38 1,200	1030T10 1.43 1,320
Size Max. Bore (inch) Torque (lb-in)	RES 1040 EYO 1.62 2,000	1040T10 1.62 2,200	1040 1.62 2,200	GF2040H 1.62 2,000	1040H 1.62 2,000	1040T10 1.75 2,200
Size Max. Bore (inch) Torque (lb-in)	RES 1050 EYO 1.88 3,500	1050T10 1.88 3,850	1050 1.87 3,850	GF2050H 1.88 3,500	1050H 1.88 3,500	1050T10 2 3,850
Size Max. Bore (inch) Torque (lb-in)	RES 1060 EYO 2.12 5,500	1060T10 2.12 6,050	1060 2.12 6,050	GF2060H 2.12 5,500	1060H 2.12 5,500	1060T10 2.25 6,050
Size Max. Bore (inch) Torque (lb-in)	RES 1070 EYO 2.5 8,000	1070T10 2.5 8,800	1070 2.5 8,800	GF2070H 2.5 8,000	1070H 2.5 8,000	1070T10 2.68 8,800
Size Max. Bore (inch) Torque (lb-in)	RES 1080 EYO 3 16,500	1080T10 3 18,150	1080 3 18,150	GF2080H 3 16,500	1080H 3 16,500	1080T10 3.25 18,150
Size Max. Bore (inch) Torque (lb-in)	RES 1090 EYO 3.5 30,000	1090T10 3.5 33,000	1090 3.5 33,000	GF2090H 3.5 30,000	1090H 3.5 30,000	1090T10 3.75 33,000
Size Max. Bore (inch) Torque (lb-in)	RES 1100 EYO 4 50,500	1100T10 4 55,550	1100 4 55,550	GF2100H 4 50,500	1100H 4 50,500	1100T10 4.25 55,550
Size Max. Bore (inch) Torque (lb-in)	RES 1110 EYO 4.5 75,000	1110T10 4.5 82,500	1110 4.5 82,500	GF2110H 4.5 75,000	1110H 4.5 75,000	1110T10 4.62 82,500
Size Max. Bore (inch) Torque (lb-in)	RES 1120 EYO 5 110,000	1120T10 5 121,000	1120 5 121,000	GF2120H 5 110,000	1120H 5 110,000	1120T10 5.37 121,000
Size Max. Bore (inch) Torque (lb-in)	RES 1130 EYO 6 160,000	1130T10 6 176,000	1130 6 176,000	GF2130H 6 160,000	1130H 6 160,000	1130T10 6.5 176,000
Size Max. Bore (inch) Torque (lb-in)	RES 1140 EYO 7.25 230,000	1140T10 7.25 253,000	1140 7.25 253,000	GF2140H 7.25 230,000	1140H 7.25 230,000	1140T10 7.25 253,000
Size Max. Bore (inch) Torque (lb-in)	RES 1150 EYO 8 320,000	1150T10 8 352,000	1150 8 352,000			1150T10 8 352,000
Size Max. Bore (inch) Torque (lb-in)	RES 1160 EYO 9 450,000	1160T10 9 495,000	1160 9 495,000			1160T10 9 495,000
Size Max. Bore (inch) Torque (lb-in)	RES 1170 EYO 10 600,000	1170T10 10 660,000	1170 10 660,000			1170T10 10 660,000
Size Max. Bore (inch) Torque (lb-in)	RES 1180 EYO 11 832,000	1180T10 11 915,000	1180 11 915,200			1180T10 11 915,000
Size Max. Bore (inch) Torque (lb-in)	RES 1190 EYO 12 1,100,000	1190T10 12 1,210,000	1190 12 1,210,000			1190T10 12 1,210,000
Size Max. Bore (inch) Torque (lb-in)	RES 1200 EYO 13 1,500,000	1200T10 13 1,650,000	1200 13 1,650,000			1200T10 13 1,650,000

Contacte a su ejecutivo comercial o visite nuestra página web www.eymaq.com/es/divisiones/manejo-de-materiales/

Gear Couplings RDZ ... DTO

Interchange Chart for Falk Lifelign, Kop-Flex, Amerigear, Lovejoy, KTR Gearex , System Components and Renold



Quality Products • Competitive Price • Quick Delivery

Interchange Chart

For Gear Couplings RDZ ... DTO

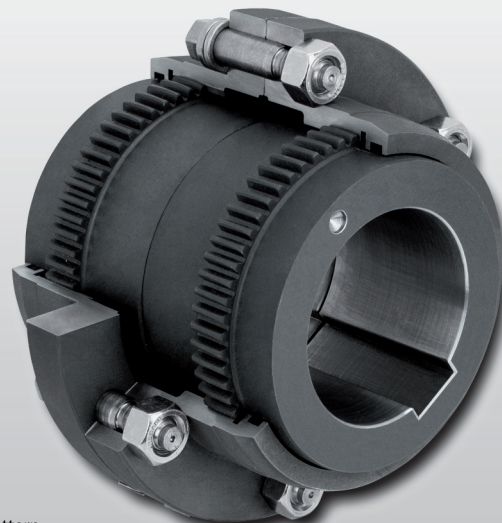
RINGSPANN®

Manufacturer	RINGSPANN RDZ ... DTO Series	Falk Lifelign G20 Series	Kop-Flex H Series	Amerigear F Series	Lovejoy F Series	KTR Gearex FA Series	System Components F Series	Renold Ajax
Size	0010	1010G	1H	201	1	10	1	1
Max. Bore (inch)	1.88	1.88	1.63	1.25	1.63	1.97	1.63	1.63
Torque Capacity (lb-in) x 1000	10.62	10.08	7.5	3.2	7.6	8.2	9.77	12.7
Size	0015	1015G	1-1/2H	201-1/2	1-1/2	15	1-1/2	1-1/2
Max. Bore (inch)	2.36	2.38	2.25	2.25	2.13	2.52	2.19	2.13
Torque Capacity (lb-in) x 1000	22.13	20.79	17.0	17.0	18.9	17.7	19.5	23.8
Size	0020	1020G	2H	202	2	20	2	2
Max. Bore (inch)	2.84	2.88	2.75	2.75	2.75	3.15	2.75	2.75
Torque Capacity (lb-in) x 1000	44.25	37.80	31.5	31.5	31.5	31.0	32.1	40.6
Size	0025	1025G	2-1/2H	202-1/2	2-1/2	25	2-1/2	2-1/2
Max. Bore (inch)	3.54	3.63	3.50	3.50	3.25	3.86	3.50	3.25
Torque Capacity (lb-in) x 1000	77.00	66.15	56.7	53.6	56.7	57.5	56.7	65.7
Size	0030	1030G	3H	203	3	30	3	3
Max. Bore (inch)	4.13	4.13	4.00	4.00	4.00	4.41	4.00	4.00
Torque Capacity (lb-in) x 1000	114.17	107	101	95.0	95.0	89.0	96.0	108
Size	0035	1035G	3-1/2H	203-1/2	3-1/2	35	3-1/2	3-1/2
Max. Bore (inch)	4.92	4.88	4.50	4.50	4.63	5.24	4.63	5.38
Torque Capacity (lb-in) x 1000	171.70	164	148	142	151	150	151	166
Size	0040	1040G	4H	204	4	40	4	4
Max. Bore (inch)	5.71	5.75	5.50	5.50	5.38	6.22	5.50	6.00
Torque Capacity (lb-in) x 1000	269.95	271	236	214	221	252	240	264
Size	0045	1045G	4-1/2H	204-1/2	4-1/2	45	4-1/2	4-1/2
Max. Bore (inch)	6.75*	6.75	6.00	6.25	6.00	6.77	6.00	6.63
Torque Capacity (lb-in) x 1000	369.96	372	318	324	302	327	315	365
Size	0050	1050G	5H	205	5	50	5	5
Max. Bore (inch)	7.38*	7.38	6.88	6.63	6.50	7.56	6.88	6.63
Torque Capacity (lb-in) x 1000	504.49	501	441	416	435	451	447	489
Size	0055	1055G	5-1/2H	205-1/2	5-1/2	55	5-1/2	5-1/2
Max. Bore (inch)	8.25*	8.25	7.75	7.50	7.38	8.27	7.75	7.50
Torque Capacity (lb-in) x 1000	716.91	655	580	551	573	575	583	725
Size	0060	1060G	6H	206	6	60	6	6
Max. Bore (inch)	9.13*	9.13	8.63	8.25	8.00	9.13	8.75	8.13
Torque Capacity (lb-in) x 1000	840.82	800	759	750	750	752	756	925
Size	0070	1070G	7H	207	7	70	7	7
Max. Bore (inch)	10.88*	10.88	10.38	9.63	9.00	10.87	10.38	9.63
Torque Capacity (lb-in) x 1000	1,292.21	1,197	1,160	1,033	1,008	1,195	1,166	1,390

* Maximum bores for shaft and keys according to AGMA/ANSI 9002-C14: shafts up to 6.5" with square keys, and shafts, above 6.5" with rectangular keys

Features

- High Nominal Torque Ratings
- Large Bore Capacities
- Phosphate Coated - Corrosion Resistant
- Fast Delivery
- Complies with AGMA Standard so our half couplings bolt to other AGMA half couplings**



** All are half to half interchanges, except for Amerigear size 201 which uses a different flange pattern